

# CYLINDER ROLL TONG R&P – GRIPPING CHOCKS

## DATA SHEET

### DESCRIPTION OF OPERATION

The cylinder roll tong r&p - gripping chocks - is designed to lift single, or double backup rolls, by gripping the chocks with its two, independently powered, pairs of lifting arms. The tongs are robustly engineered for heavy duty application to meet the severe demands of steel mills. The crane operator controls the entire lifting process from the crane cabin. Drive is provided by a three-phase gear motor and a chain transmission. The electric circuit is wired into a terminal box on the tong unit. The suspension assembly is designed to accommodate standard crane hooks. The suspension is fixed by pull pins. Customized suspensions on request.



### FEATURES

- Operated entirely from the crane cab without the assistance
- Easy access to gripping pads and grease points for all bearings
- All tongs are individually designed and calculated
- Manufactured in accordance with worldwide recognised norms (e.g. EN, ISO) and safety standards

### CUSTOMER BENEFITS

- No assistance of personnel on the floor required
- Increased operational safety
- Quick handling time
- Minimum inherent weight
- Easy to maintain and exchange of wear parts
- Long working life
- State-of-the-art product according to latest international machine guidelines

### AVAILABLE OPTIONS

- Rotating unit
- Suspension custom-made
- Electrical provisions for fully-automatic lifting process - radio control for the tong
- Chock rotating winch
- Chock holding device
- Height adjusting tables (manual, motorized)
- Prolonging main lever
- Manually operated end grabs
- Protection plates made of Ertalon/Secutex

## CYLINDER ROLL TONG R&P – GRIPPING CHOCKS

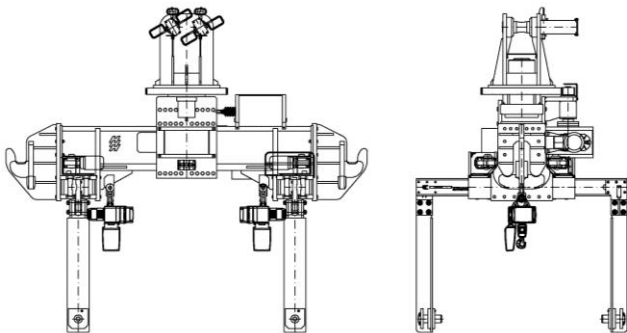
### PRODUCT INFORMATION

### TYPICAL ROLL SPECIFICATIONS \*

Roll length	up to	5'000 mm
Roll diameter	from 1'370 mm up to	1'525 mm
Width	up to	800 mm
Weight of roll	up to	50 t
Weight of chocks	up to	2 x 17 t

\*) Tongs for all roll dimensions are available according to customer requirements.

### EXAMPLE DRAWING



Heppenstall cylinder roll tongs are designed to accommodate custom cylinder rolls of all dimensions with or without rotating unit.

### SAMPLE PICTURE



Other cylinder roll tongs available:

- Cylinder roll tong automatic
- Cylinder roll tong r&p gripping cylindrical part
- Cylinder roll tong screw driven gripping the cylinder

All lifting equipment complies with the latest machine guidelines and the new EU/EN standards. Heppenstall use material of high quality and ultrasonic tested steel plates according EN10204 for safety-related components.