

CLAM SHELL HYDRAULIC/DRAGLINE

DATA SHEET

DESCRIPTION OF OPERATION

The hydraulic operated, dragline operated, or single rope-self closing clamshell grab, is designed to handle pile and bulk material. Special profiled jaws ensure an optimal gripping force. Wear plates increase the clam's service life. The crane operator controls the entire lifting process from the crane cabin, by lowering the open and self-grabbing clamshell onto the material. The electric circuit is wired into a terminal box on the grab. The suspension assembly is designed to accommodate standard crane hooks. Customized suspensions on request.



FEATURES

- Easily removable wear components
- All grabs are uniquely designed and calculated
- Grab suspension designed for standard single hook according to DIN 15401
- Manufactured in accordance with worldwide recognised norms (e.g. EN, ISO) and safety standards

CUSTOMER BENEFITS

- Long service life
- Existing crane hooks can be used without modification
- Easy to maintain and exchange of wear parts
- Minimum inherent weight
- Produced in line with the latest international machine guide lines

AVAILABLE OPTIONS

- Rotating unit
- Suspension custom-made
- Suspension for free hook leading - no floor personnel required
- Electrical fittings
- Radio control for the grab
- Underwater equipment

CLAM SHELL HYDRAULIC/DRAGLINE

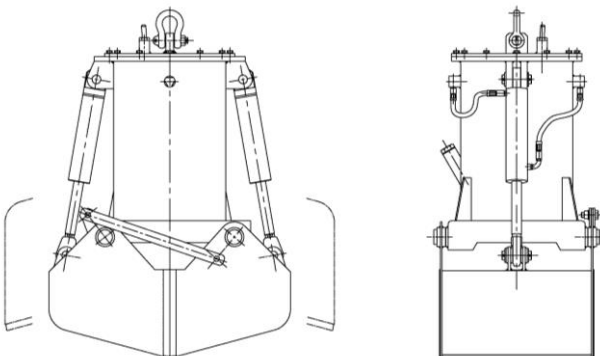
PRODUCT INFORMATION

TYPICAL CLAM SPECIFICATIONS *

Weight	(grab + material)	12,5 tons
Material density up to	20%	1,60 ton / m ³
For handling mixed scrap	up to	70 mm
Grab Capacity	dome / 2	6,08 m ³
	dome / 100%	4,50 m ³
Motor output	Closing / opening	12,0 / 8.0 sec

*) Clams for all material dimensions are available according to customer requirements.

EXAMPLE DRAWING



Heppenstall clam shells are designed to accommodate custom pile and bulk material of all dimensions with or without rotating unit.

3D VIEW



Other type available:

- Orange peel grab hydraulic/dragline

All lifting equipment complies with the latest machine guidelines and the new EU/EN standards. Heppenstall use material of high quality and ultrasonic tested steel plates according EN10204 for safety-related components.